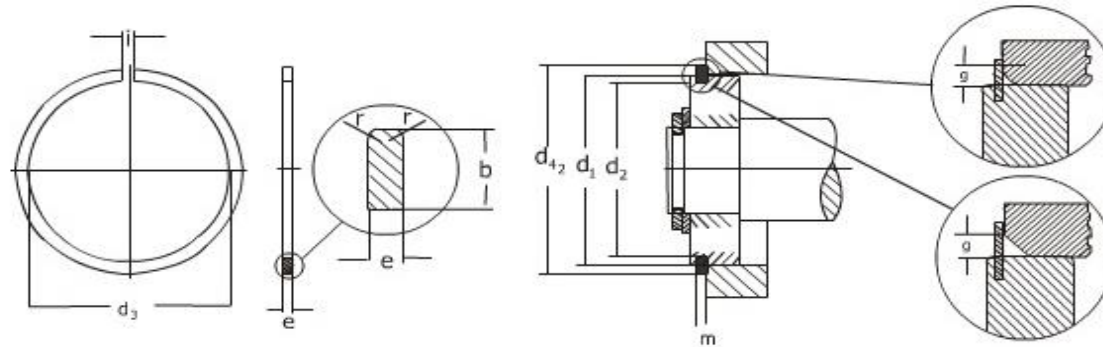


# VF VEDAÇÃO E FIXAÇÃO LTDA.

## ANÉIS PARA EIXOS DIN 5417 TIPO SP GRUPO 508

$d_3$  é o diâmetro do anel não tensionado



Código VF para encomenda	$d_1$	ANEL									RANHURA				DADOS COMPLEMENTARES					
		e	Tol.	b	Tol.	$d_3$	Tol.	i ~ ~	r	Peso Kg/10 00	$d_2$	Tol.	m	Tol.	n min.	PN (Kgf)	PR (Kgf)	g	K (Kgf mm)	n. adm. (RPM)
508,030	30	1.12	-0.1	3.25	-0.15	27.4	0.4	3	0.4	2.8	28.17	-0.25	1.35	0.3	34.7	1370	2220	2.0	3200	15900
508,032	32	1.12	-0.1	3.25	-0.15	29.4	0.4	3	0.4	3.0	30.15	-0.25	1.35	0.3	36.7	1460	2060	2.0	3000	13400
508,035	35	1.12	-0.1	3.25	-0.15	32.4	0.4	3	0.4	3.2	33.17	-0.25	1.35	0.3	39.7	1600	1900	2.0	2800	11000
508,037	37	1.12	-0.1	3.25	-0.15	34.0	0.4	3	0.4	3.4	34.77	-0.25	1.35	0.3	41.3	2070	1780	2.0	2660	10000
508,040	40	1.12	-0.1	3.25	-0.15	37.3	0.4	3	0.4	3.6	38.10	-0.25	1.35	0.3	44.6	1930	1600	2.0	2420	8300
508,042	42	1.12	-0.1	3.25	-0.15	38.9	0.5	3	0.4	3.8	39.75	-0.25	1.35	0.3	46.3	2350	1520	2.0	2340	7400
508,044	44	1.12	-0.1	3.25	-0.15	40.9	0.5	3	0.4	4.0	41.75	-0.25	1.35	0.3	48.3	2460	1460	2.0	2260	6600
508,047	47	1.12	-0.1	4.04	-0.15	43.7	0.5	4	0.4	5.3	44.60	-0.25	1.35	0.3	52.7	2880	1630	2.0	2560	7400
508,050	50	1.12	-0.1	4.04	-0.15	46.7	0.5	4	0.4	5.8	47.60	-0.25	1.35	0.3	55.7	3060	1520	2.0	2430	5600

508,052	52	1.12	-0.1	4.04	-0.15	48.8	0.5	4	0.4	5.9	49.73	-0.25	1.35	0.3	57.9	3160	1450	2.5	2340	5600
508,055	55	1.12	-0.1	4.04	-0.15	51.7	0.5	4	0.4	6.2	52.60	-0.25	1.35	0.3	60.7	3380	1340	2.5	2200	5000
508,056	56	1.12	-0.1	4.04	-0.15	52.4	0.8	4	0.4	6.5	53.60	-0.25	1.35	0.3	61.7	3450	1320	2.5	2180	5000
508,058	58	1.12	-0.1	4.04	-0.15	54.4	0.8	4	0.4	6.7	55.60	-0.25	1.35	0.3	63.7	3560	1260	2.5	2100	4600
508,062	62	1.70	-0.1	4.04	-0.15	58.2	0.8	4	0.4	10.5	59.61	-0.50	1.90	0.3	67.7	3810	4060	2.5	6900	4500
508,065	65	1.70	-0.1	4.04	-0.15	61.2	0.8	4	0.4	11.0	62.60	-0.50	1.90	0.3	70.7	4000	3840	2.5	6600	4000
508,068	68	1.70	-0.1	4.85	-0.15	63.4	0.8	5	0.6	12.6	64.82	-0.50	1.90	0.3	74.6	5550	4300	2.5	7500	4300
508,072	72	1.70	-0.1	4.85	-0.15	67.4	0.8	5	0.6	14.7	68.81	-0.50	1.90	0.3	78.6	5900	4000	2.5	7100	3700
508,075	75	1.70	-0.1	4.85	-0.15	70.4	0.8	5	0.6	15.3	71.83	-0.50	1.90	0.3	81.6	6150	3720	2.5	6700	3400
508,080	80	1.70	-0.1	4.85	-0.15	75.4	0.8	5	0.6	16.3	76.81	-0.50	1.90	0.3	86.6	6570	3480	3.0	6400	2900
508,085	85	1.70	-0.1	4.85	-0.15	80.4	0.8	5	0.6	17.5	81.81	-0.50	1.90	0.3	91.6	7000	3250	3.0	6100	2500
508,090	90	2.46	-0.1	4.85	-0.15	85.4	0.8	5	0.6	26.6	86.79	-0.50	2.70	0.3	96.5	7400	9050	3.0	17400	2100
508,095	95	2.46	-0.1	4.85	-0.15	90.4	0.8	5	0.7	28.2	91.82	-0.50	2.70	0.3	101.6	7630	8350	3.5	16400	1900
508,100	100	2.46	-0.1	4.85	-0.15	95.2	1.0	5	0.7	29.2	96.80	-0.50	2.70	0.3	106.5	8250	7750	3.5	15500	1700
508,110	110	2.46	-0.1	4.85	-0.15	105.2	1.0	5	0.7	32.8	106.81	-0.50	2.70	0.3	116.6	9070	6900	3.5	14300	1400
508,115	115	2.46	-0.1	4.85	-0.15	110.2	1.0	5	0.7	34.4	111.81	-0.50	2.70	0.3	121.6	9770	6400	3.5	13600	1200
508,120	120	2.82	-0.1	7.21	-0.15	113.6	1.0	7	0.7	60.6	115.21	-0.50	3.10	0.3	129.7	14300	13400	3.5	29000	1600
508,125	125	2.82	-0.1	7.21	-0.15	118.6	1.0	7	0.7	63	120.22	-0.50	3.10	0.3	134.7	15500	12700	4.0	28000	1500
508,130	130	2.82	-0.1	7.21	-0.15	123.6	1.0	7	0.7	65.6	125.22	-0.50	3.10	0.3	139.7	16600	12100	4.0	27000	1100
508,140	140	2.82	-0.1	7.21	-0.15	133.0	1.6	7	0.7	70.6	135.23	-0.50	3.10	0.3	149.7	18000	10800	4.9	25000	1200
508,145	145	2.82	-0.1	7.21	-0.15	138.0	1.6	7	0.7	73.0	140.23	-0.50	3.10	0.3	154.7	18600	10200	4.0	24000	1100
508,150	150	2.82	-0.1	7.21	-0.15	142.9	1.6	7	0.7	77.2	145.24	-0.50	3.10	0.3	159.7	19300	9400	4.0	23500	1100
508,160	160	2.82	-0.1	7.21	-0.15	152.9	1.6	7	0.7	81.0	155.22	-0.50	3.10	0.3	169.7	20600	8900	4.0	22000	900
508,170	170	3.10	-0.1	9.60	-0.15	161.3	1.6	10	0.7	122.0	163.65	-0.50	3.50	0.3	182.9	28300	15100	5.0	38000	1000
508,180	180	3.10	-0.1	9.60	-0.15	171.2	1.6	10	0.7	128.0	173.66	-0.50	3.50	0.3	192.9	29200	14500	5.0	34500	900
508,190	190	3.10	-0.1	9.60	-0.15	181.0	1.8	10	0.7	139.0	183.64	-0.50	3.50	0.3	202.9	31100	14000	5.0	32800	800
508,200	200	3.10	-0.1	9.60	-0.15	191.0	1.8	10	0.7	148.0	193.65	-0.50	3.50	0.3	212.9	33600	13200	5.0	31200	700
508,210	210	3.10	-0.1	9.60	-0.15	200.9	1.8	10	1.2	156.0	203.6	-0.50	3.50	0.3	222.8	35600	12400	6.0	29800	700
508,215	215	3.10	-0.1	9.60	-0.15	205.9	1.8	10	1.2	160.0	208.6	-0.50	3.50	0.3	227.8	37600	12000	6.0	28800	600
508,225	225	3.50	-0.1	10.00	-0.15	214.6	1.8	10	1.2	196.0	217.0	-0.50	4.50	0.4	237.0	46200	17200	6.0	41400	600
508,230	230	3.50	-0.1	10.00	-0.15	219.2	1.8	10	1.2	200.0	222.0	-0.50	4.50	0.4	242.0	47300	16900	6.0	40600	600

508,240	240	3.50	-0.1	10.00	-0.15	229.2	1.8	10	1.2	209.0	232.0	-0.50	4.50	0.4	252.0	49500	16200	6.0	39200	500
508,250	250	3.50	-0.1	10.00	-0.15	239.2	1.8	10	1.2	220.0	242.0	-0.50	4.50	0.4	262.0	51400	15600	6.0	37300	460
508,260	260	3.50	-0.1	10.00	-0.30	247.5	2.5	10	1.2	230.0	252.0	-0.50	4.50	0.4	272.0	53600	15100	6.0	36200	540
508,270	270	3.50	-0.1	10.00	-0.30	257.5	2.5	10	1.2	240.0	262.0	-0.50	4.50	0.4	282.0	55600	14500	6.0	34800	500
508,280	280	3.50	-0.1	10.00	-0.30	267.3	2.5	10	1.2	250.0	272.0	-0.50	4.50	0.4	292.0	57800	14000	6.0	33500	500
508,290	290	3.50	-0.1	10.00	-0.30	277.5	2.5	10	1.2	260.0	282.0	-0.50	4.50	0.4	302.0	59800	13500	6.0	32300	440
508,300	300	4.50	-0.2	12.00	-0.30	284.5	2.5	10	1.5	400.0	290.0	-0.50	5.50	0.5	314.0	69400	33200	6.0	79500	560
508,310	310	4.50	-0.2	12.00	-0.30	294.0	3.0	10	1.5	412.0	300.0	-0.50	5.50	0.5	324.0	80000	32000	7.0	77000	500
508,320	320	4.50	-0.2	12.00	-0.30	304.0	3.0	10	1.5	420.0	310.0	-0.50	5.50	0.5	334.0	82400	31200	7.0	74700	500
508,340	340	4.50	-0.2	12.00	-0.30	324.0	3.0	10	1.5	446.0	330.0	-0.50	5.50	0.5	354.0	87500	29300	7.0	70200	400
508,360	360	4.50	-0.2	12.00	-0.30	343.0	3.0	10	1.5	475.0	350.0	-0.50	5.50	0.5	374.0	93000	27600	7.0	66000	400
508,370	370	4.50	-0.2	12.00	-0.30	353.0	3.0	10	1.5	485.0	360.0	-0.50	5.50	0.5	384.0	95500	26700	7.0	64000	370
508,380	380	4.50	-0.2	12.00	-0.30	363.0	3.0	10	1.5	500.0	370.0	-0.50	5.50	0.5	394.0	99500	26200	7.0	63000	350
508,400	400	4.50	-0.2	12.00	-0.30	383.0	3.0	10	1.5	525.0	390.0	-0.50	5.50	0.5	414.0	104000	25000	7.0	60100	300

Utilizar Códigos em **AZUL** preferencialmente.

Reservamo-nos ao direito de modificação das dimensões acima sem consulta prévia.