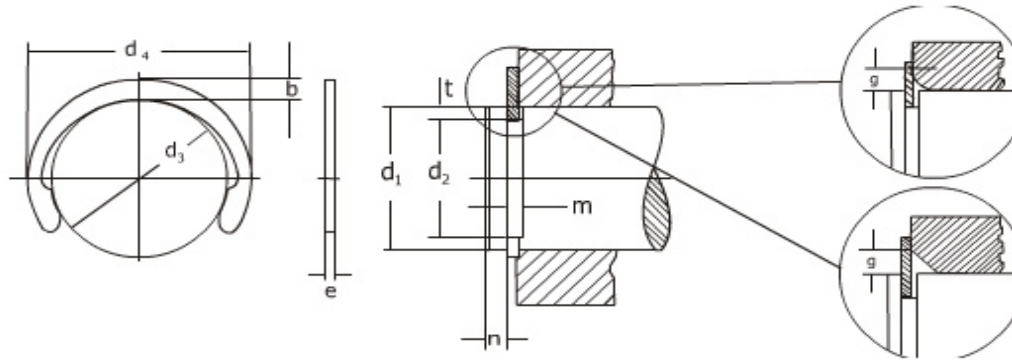


# VF VEDAÇÃO E FIXAÇÃO LTDA.

## ANÉIS PARA EIXOS TIPO ML GRUPO 504

$d_3$  e  $d_4$  são os diâmetros do anel não tensionado



Código VF para encomenda	$d_1$	ANEL						RANHURA				DADOS COMPLEMENTARES						
		e	$d_3$	Tol.	b ~ ~	$d_4$	Peso (Kg/100 0)	$d_2$	Tol.	m min.	t	$d_4$ montad o	n	PN (Kgf)	PR (Kgf)	g máx.	PRg (Kgf)	n. adm. (RPM)
504,030	3	0.4	2.18	±0,06	0.90	3.98	0.02	2.3	-0.07	0.44	0.35	4.1	1.0	24	50	0.40	40	95000
504,040	4	0.4	3.00		1.00	5.00	0.04	3.2		0.44	0.40	5.2	1.2	37	50	0.40	40	90000
504,050	5	0.6	3.80	±0,08	1.20	6.40	0.08	4.0		0.64	0.50	6.4	1.5	58	110	0.60	70	88000
504,060	6	0.7	4.80		1.30	7.40	0.11	5.0		0.74	0.50	7.6	1.5	72	165	0.70	110	80000
504,065	6.5	0.7	5.60		1.30	8.20	0.12	5.8		0.74	0.35	8.4	1.0	55	170	0.70	105	76000
504,070	7	0.8	5.80	±0,09	1.40	8.60	0.13	6.0		0.85	0.50	8.8	1.5	85	220	0.80	130	69000
504,080	8	0.8	6.80		1.60	10.00	0.17	7.0		0.85	0.50	10.2	1.5	98	220	0.80	130	67000
504,090	9	1.00	7.80		1.70	11.20	0.22	8.0		1.10	0.50	11.4	1.5	110	350	1.00	200	58000

504,100	10	1.00	8.75		1.70	12.15	0.26	9.0		1.10	0.50	12.4	1.5	124	370	1.00	200	50000
504,110	11	2.00	9.65		1.80	13.20	0.29	10.0		1.10	0.50	13.6	1.5	135	400	1.00	200	40000
504,120	12	1.00	10.55		1.90	14.35	0.32	10.9		1.10	0.55	14.7	1.7	165	420	1.00	200	35000
504,130	13	1.00	11.40		2.00	15.40	0.36	11.8		1.10	0.60	15.8	1.8	190	450	1.00	200	30000
504,140	14	1.00	12.30		2.00	16.30	0.40	12.7		1.10	0.65	16.7	2.0	220	500	1.00	200	27000
504,150	15	1.00	13.20		2.10	17.40	0.46	13.6		1.10	0.70	17.8	2.1	260	550	1.00	200	25000
504,160	16	1.00	14.10	±0,18	2.20	18.50	0.54	14.5		1.10	0.75	18.9	2.3	300	580	1.00	200	24000
504,170	17	1.00	14.90		2.25	19.40	0.64	15.4		1.10	0.80	19.9	2.4	340	600	1.00	200	23000
504,180	18	1.20	15.80		2.30	40.40	0.72	16.3		1.30	0.85	20.9	2.6	370	850	1.20	280	21000
504,190	19	1.20	16.70		2.40	21.50	0.80	17.2		1.30	0.90	22.0	2.7	430	900	1.20	280	20500
504,200	20	1.20	17.55		2.55	22.65	0.87	16.1		1.30	0.95	23.2	2.9	470	940	1.20	300	20000
504,220	22	1.20	19.40		2.80	25.00	1.10	19.9		1.30	1.05	25.5	3.2	570	1000	1.20	300	16500
504,230	23	1.20	20.20		2.90	26.00	1.15	20.8		1.30	1.10	26.6	3.3	620	1050	1.20	320	15200
504,240	24	1.20	21.10		3.00	27.10	1.52	21.7		1.30	1.15	27.7	3.5	680	1100	1.20	320	15100
504,250	25	1.20	22.00		3.15	28.30	1.74	22.6		1.30	1.20	28.9	3.6	750	1150	1.20	320	15000
504,260	26	1.20	22.90	±0,21	3.25	29.40	1.88	23.5		1.30	1.25	30.0	3.8	800	1200	1.20	320	14500
504,280	28	1.50	24.60		3.50	31.60	2.32	25.2		1.60	1.40	32.2	4.2	970	1650	1.50	550	13200
504,300	30	1.50	26.30		3.70	33.70	2.43	27.0		1.60	1.50	34.4	4.5	1100	1700	1.50	560	13000
504,320	32	1.50	28.10		4.00	36.10	3.02	28.8		1.60	1.60	36.8	4.6	1250	1800	1.50	580	12900
504,350	35	1.50	30.80		4.30	39.40	3.30	31.5		1.60	1.75	40.1	5.3	1500	2000	1.50	580	11000
504,360	36	1.75	31.70	±0,25	4.40	40.50	4.40	32.4		1.85	1.80	41.2	5.4	1600	2500	1.5	830	10200
504,380	38	1.75	33.40		4.60	42.60	4.62	34.2		1.85	1.90	43.4	5.7	1750	2600	1.75	850	9600
504,400	40	1.75	35.20		4.90	45.00	5.05	36.0		1.85	2.00	45.8	6.0	2000	2750	1.75	880	9200
504,420	42	1.75	37.00		5.10	47.20	5.46	37.8		1.85	2.10	48.0	6.3	2150	2800	1.75	890	8600
504,450	45	1.75	39.60		5.50	50.50	5.98	40.5		1.85	2.25	51.5	6.8	2500	3000	1.75	900	8300
504,480	48	1.75	42.30		5.90	54.10	7.82	43.2		1.85	2.40	55.0	7.2	2800	3200	1.75	900	7500
504,500	50	2.00	44.00	±0,39	6.20	56.40	8.85	45.0		2.15	2.50	57.4	7.5	3100	3950	2.00	1200	6800
504,520	52	2.00	46.00		6.30	58.60	9.33	47.0		2.15	2.50	59.6	7.5	3200	4100	2.00	1200	6600
504,550	55	2.00	48.50		6.50	61.50	10.40	50.0		2.15	2.50	63.0	7.5	3400	4300	2.00	1200	6500

Utilizar Códigos em **AZUL** preferencialmente.

Reservamo-nos ao direito de modificação das dimensões acima sem consulta prévia.